

UC Mechanism™

Ideal for Height Adjustable Tables



The Ultra Compact keyboard mechanism is designed for applications that require minimal track length and maximum retraction.

Ideal for height adjustable tables with a cross member as little as 12" from the front edge of your work surface. When combined with our "UC Tray", it will fully retract on the standard 11" track!

Alternate track lengths 14" or greater will allow full retraction with all standard Weber Knapp keyboard tray / palm rest combinations.



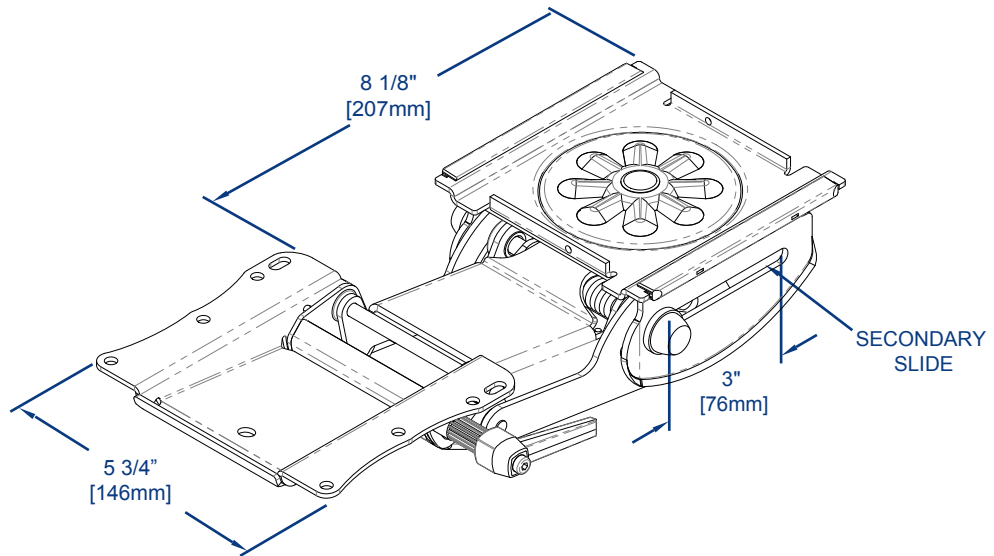
ADJUST THE WORKSPACE. DON'T ADJUST TO IT.



Tel: (800) 828-9254 or (716) 484-9135
www.weberknapp.com | e-mail: sales@weberknapp.com

UC Mechanism™ Advantages:

- Patented secondary slide & unique arm design provide the "Ultra Compact" footprint.
- Full retraction with 11" Track and the "UC Tray".
- Patented "No Knob / Gravity Lock" spring assisted height adjustment.
- 5-3/4" total height adjustment range (1-3/4" above; 4" below the worksurface).
- Rugged steel construction finished in a durable black powder coat.
- Meets or Exceeds ANSI / BIFMA X5.5 2008 Industry Standard.
- All mounting hardware and instructions included.
- Made in the USA.



UC Mechanism™ 31548CS SPECIFICATIONS

HEIGHT ADJUSTMENT	
ABOVE	1-3/4" (44 mm)
DOWN	4" (127 mm)
TOTAL	5-3/4" (146 mm)
HEIGHT SET BY	LIFT AND RELEASE
+10° / -20° TILT SET BY	RATCHET HANDLE
REAR SWIVEL	360°
FULLY RETRACTABLE	YES, ON 11" TRACK (INCLUDED) WITH UC TRAY (31568)
ANSI/BIFMA X5.5-1998	YES, EXCEEDS
MATERIAL	STEEL
FINISH	BLACK TEXTURED POWDERCOAT

