

## Tablet Mate™

Supports your tablet and allows for easy viewing and usage.



Tablet Mate supports tablets at any angle for viewing, typing or writing. Attaches to the tray so it moves with the keyboard and then tilts to a focal angle that is comfortable for you. But that's not all the Tablet Mate does.

Flip the Tablet Mate down over the keys and you have a writing or mousing surface. Now you can work on your tablet without turning, twisting or stretching over your keyboard.

Positioned on the left or right side, the surface does not obstruct the main keys of a standard size keyboard. So you can type or write while maintaining the same position.



ADJUST THE WORKSPACE. DON'T ADJUST TO IT.



C O M P A N Y

Tel: (800) 828-9254 or (716) 484-9135 x 263  
www.weberknapp.com | e-mail: sales@weberknapp.com

## Tablet Mate™ Features



Install with simple lever



Infinite angles with fingertips

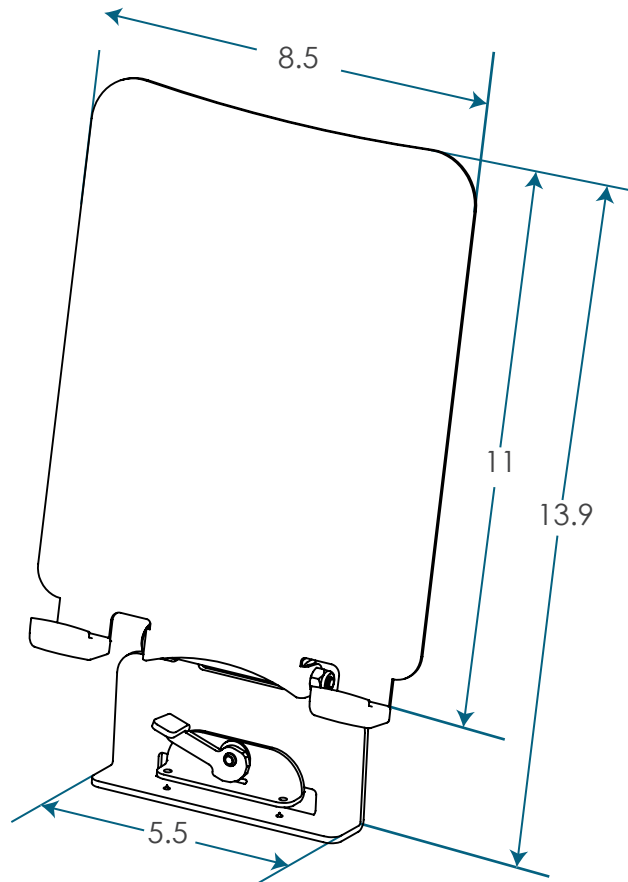


Surface over your keyboard



Mousing surface

- Mounts on either side of the keyboard tray or anywhere.
- Unique design flips up to support documents, down to provide a writing or mousing surface
- Infinite tilt with fingertip adjustment
- Tablet Mate is sized to support popular tablets
- Fully removable when not in use
- Constructed of durable, powder coated steel
- Made in the USA



### TABLET MATE™ 31010-162 SPECIFICATIONS

PLATFORM SIZE	8.5 X 11"
COMPATIBILITY	1/4" - 3/8" KEYBOARD TRAYS
ATTACHMENT METHOD	CAM LEVER
VIEWING ANGLE	INFINITELY ADJUSTABLE
MATERIAL	STEEL
FINISH	BLACK TEXTURED POWDER COAT

