

## Monitor Mate Lift™

Smooth gliding monitor lift without the use of electricity



Unlike some competitors' devices, the Weber Knapp Monitor Mate Lift utilizes a speed control device to control the speed at which the monitor ascends. The Monitor Mate Lift supports most flat screens with weight ranges of 5 to 24 pounds.

No counterweights or spring adjustments are necessary, providing a uniform lifting action over the entire vertical range of motion. The Monitor Mate Lift works without the use of electricity. The actual range of travel is a full 20 inches. A standard VESA Mount provides 11 available mounting positions. Options for a fixed or tilt capability are available.



ADJUST THE WORKSPACE. DON'T ADJUST TO IT.



Tel: (800) 828-9254 or (716) 484-9135 x 263  
www.weberknapp.com | e-mail: sales@weberknapp.com



Glides open with one touch



Monitor Weights from 5-24 lbs.



Push down to store monitor



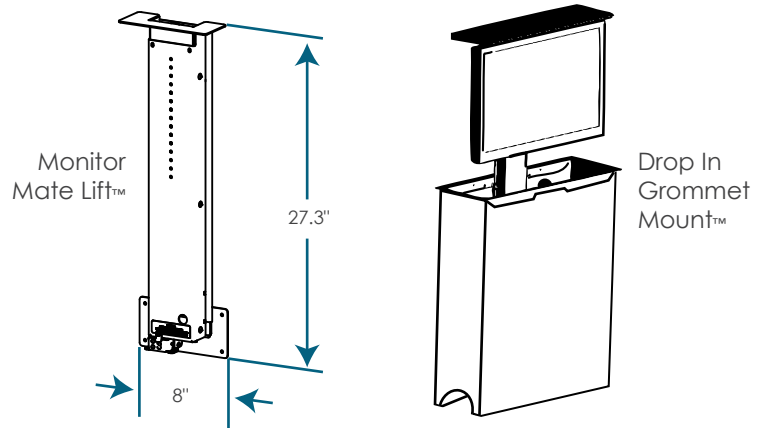
Stows safely under the desk

## Monitor Mate Lift™ Features


- Glides without electricity
- Standard VESA mount- available 75mm x 75mm and 100 mm x 100 mm on a movable column
- Eleven mounting positions for personalized ergonomic positioning
- 20" range of travel
- No knob, lever, or ratchet handle required to release monitor
- Rugged steel construction finished in a durable black powder coat
- All instructions included
- Made in the USA

### MONITOR MATE LIFT™

TOTAL HEIGHT- STORED POSITION	27.3"
TRAVEL DISTANCE	20"
COLUMN WIDTH	5.38"
COLUMN DEPTH	1.28"
OPTIMAL MONITOR WEIGHT	5-24 LBS.
FINISH	BLACK POWDER COAT



Monitor Mate Lift™	PART #		Monitor Capacity	
			Light	Heavy
	30885 FL 2 935	FIXED	5 TO 15 LBS	
	30885 FH 2 935	FIXED		15 TO 24 LBS
	30885 TL 2 9235	TILT	5 TO 15 LBS	
	30885 TH 2 935	TILT		15 TO 24 LBS
Drop In Grommet Mount™				
	31061 FL 2 935	FIXED	5 TO 15 LBS	
	31061 FH 2 935	FIXED		15 TO 24 LBS
	31061 TL 2 9235	TILT	5 TO 15 LBS	
	31061 TH 2 935	TILT		15 TO 24 LBS

 Visit [www.WeberKnapp.com](http://www.WeberKnapp.com) to view the Monitor Mate Lift™ in motion.

