

## Monitor Mate Lift™

Smooth gliding monitor lift without the use of electricity



Unlike some competitors' devices, the Weber Knapp Monitor Mate Lift utilizes a speed control device to control the speed at which the monitor ascends. The Monitor Mate Lift covers most flat screens with weight ranges of 5 to 15 pounds.

No counterweights or spring adjustments are necessary. Constant force springs provide a uniform lifting action over the entire vertical range of motion. These springs allow the Monitor Mate Lift to work without the use of electricity. The actual range of travel is a full 20 inches. A standard VESA Mount provides 11 available mounting positions. Options for a fixed or tilt capability are available.

ADJUST THE WORKSPACE. DON'T ADJUST TO IT.



C O M P A N Y

Tel: (800) 828-9254 or (716) 484-9135 x 263  
www.weberknapp.com | e-mail: sales@weberknapp.com



Glides open with one touch



11 monitor mounting positions



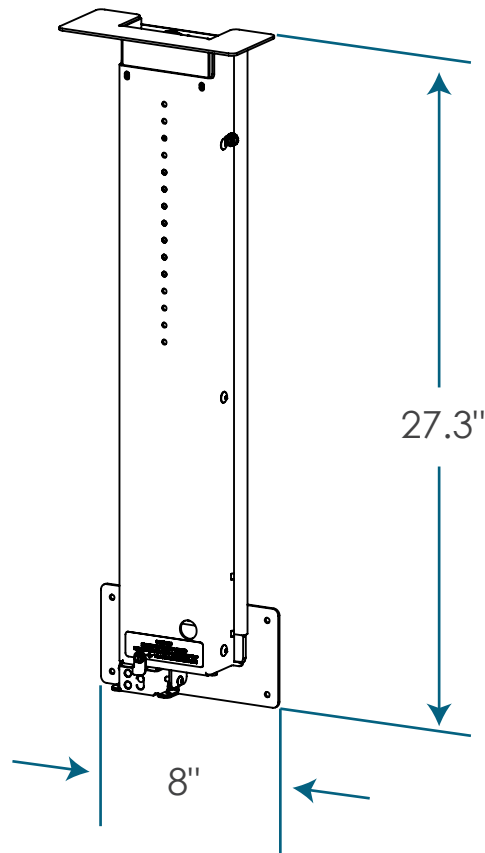
Push down to store monitor



Stows safely under the desk


## Monitor Mate Lift™ Features

- Glides without electricity
- Standard VESA mount- available 75mm x 75mm and 100 mm x 100 mm on a movable column
- Eleven mounting positions for personalized ergonomic positioning
- 20" range of travel
- No knob, lever, or ratchet handle required to release monitor
- Rugged steel construction finished in a durable black powder coat
- All mounting hardware and instructions included
- Made in the USA



### MONITOR MATE LIFT™ 30885 SPECIFICATIONS

TOTAL HEIGHT- STORED POSITION	27.3"
TRAVEL DISTANCE	20"
COLUMN WIDTH	5.38"
COLUMN DEPTH	1.98"
OPTIMAL MONITOR WEIGHT	5-15 LBS.
FINISH	BLACK POWDER COAT

 Visit [www.WeberKnapp.com](http://www.WeberKnapp.com) to view the Monitor Mate Lift™ in motion.

