

CPU Holders

Ergonomic solutions for workspace efficiency



The innovative strap-supported design of the EasyCinch enables space-saving and secure suspension of CPUs under desktops. This off-the-floor storage solution helps to prevent damage due to dust, accidental kicking and cleaning. Users benefit from improved workspace efficiency and easy accessibility while the integrated retractability and swivel prevent knee and leg space infringement.

Weber Knapp Designs for a Smarter Workspace



C O M P A N Y

Tel: (800) 828-9254 or (716) 484-9135

www.weberknapp.com | [e-mail sales@weberknapp.com](mailto:sales@weberknapp.com)

All CPU Holders Feature

- Mounts underneath most worksurfaces.
- Soft-touch feet protect surface of CPU.
- Secure support for flat or rounded top CPUs.
- Fits most CPUs, up to 75lb in weight and 64" in perimeter.
- Eliminates bending motion to load media or access cabling.
- Mounting hardware and instructions included.

EasyCinch™

- CPU Holders retract and swivel to allow full accessibility and easy stowage away from the operator's important knee space.
- Quick & Easy Installation with the patented "Cinch & Lock" Device for tightening the straps.
- Handy adjustment tool stores within unit.
- Safety feature prevents accidental release of strap tension.
- Straps can be tightened while CPU is suspended.
- Mounts underneath most worksurfaces
- Easily converts to horizontal CPU installation (with optional click-on 25802 adapter set).
- 360° swivel option provides easy access to CPU cable inputs.
- Rugged steel construction.

Ergo CPU Holder

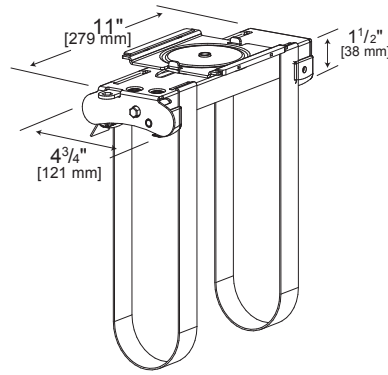
- Offers quick release bracket.
- Two position height adjustment.
- Rugged steel construction.
- Retractable with a standard 17-3/4" track (included).

SlimLine Advantages

- CPU Holders retract and swivel to allow full accessibility and easy stowage away from the operator's important knee space.
- 360° swivel option provides easy access to CPU cable inputs.
- Rugged steel construction.
- Straps are adjusted and fastened with buckles by hand.

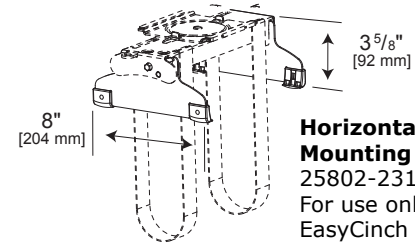
EconoLine CPU Holder

- Economical.
- Two position height adjustment.
- Fixed mounting, no retraction, no swivel.
- Rugged steel construction finished in a durable black textured powder coat.



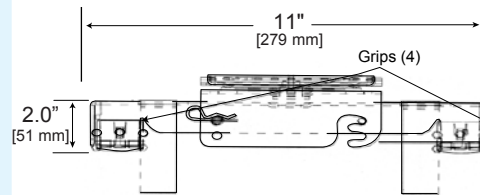
EasyCinch™ 25247/25729

SWIVEL	360°
FULLY RETRACTABLE	Yes, 17-3/4 track
CPU CAPACITY	75 lb
MATERIAL	Steel with nylon strap
FINISH	Black 25247, Silver 25729 powder coat



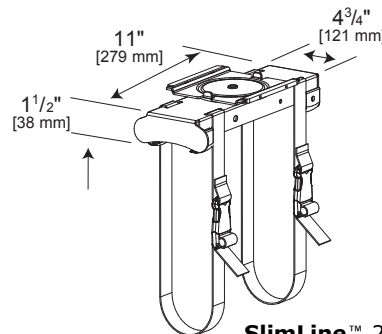
Horizontal Mounting Kit

25802-231
For use only with EasyCinch 25729-231



Ergo CPU Holder 25481

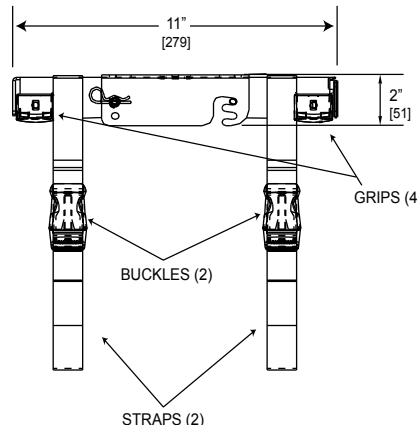
SWIVEL	360°
FULLY RETRACTABLE	Yes, 17 3/4 Track Inc.
CPU CAPACITY	75 lb
MATERIAL	Steel with polypropylene strap
FINISH	Black textured powder coat
FEATURES	Quick release bracket



SlimLine™ 25801-231
Straps adjust and fasten with buckles

SlimLine™ 25801/25480

SWIVEL	360°
FULLY RETRACTABLE	Yes, 17 3/4 Track Inc.
CPU CAPACITY	75 lb
MATERIAL	Steel with polypropylene strap
FINISH	Silver 25801 Black 25480 powder coat
HEIGHT: 25801	1-1/2"
25480	1-3/4"



EconoLine™ 25249

SWIVEL	No
FULLY RETRACTABLE	No
CPU CAPACITY	75 lb
MATERIAL	Steel with nylon strap
POSITION	Two height positions
FINISH	Black textured powder coat

