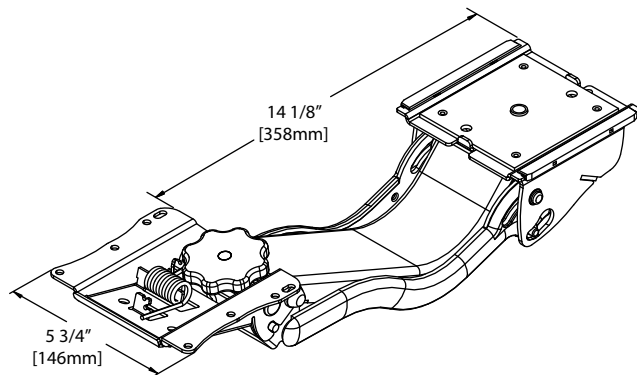
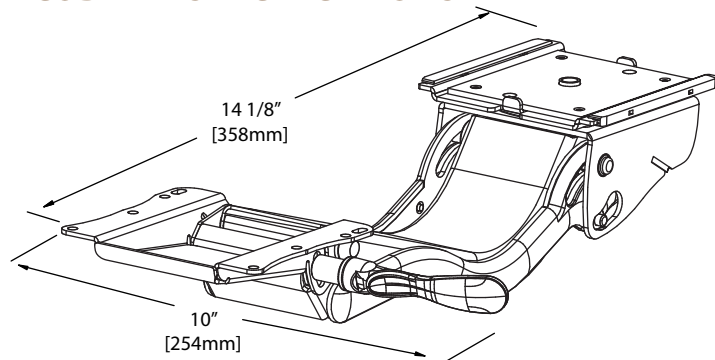


## TILT-A-WHEEL COBRA™ SPECIFICATIONS

HEIGHT ADJUSTMENT	
UP	7 ½" (191 mm)
DOWN	5" (127 mm)
TOTAL	12 ½" (318 mm)
HEIGHT SET BY	LIFT AND RELEASE
+10"/ -20" TILT SET BY	SOFT TOUCH WHEEL
REAR SWIVEL	360°
FULLY RETRACTABLE	YES, 23" TRACK INCLUDED
ANSI/BIFMA X 5.5 1998	YES, EXCEEDS
MATERIAL	STEEL
FINISH	TEXTURED BLACK POWDER COAT



## COBRA™ SPECIFICATIONS



HEIGHT ADJUSTMENT	
UP	7" (178 mm)
DOWN	5 ½" (140 mm)
TOTAL	12 ½" (318 mm)
HEIGHT SET BY	LIFT AND RELEASE
+10"/ -20" TILT SET BY	WAND
REAR SWIVEL	360°
FULLY RETRACTABLE	YES, 23" TRACK INCLUDED
ANSI/BIFMA X 5.5 1998	YES, EXCEEDS
MATERIAL	STEEL
FINISH	TEXTURED BLACK POWDER COAT

### NEGATIVE-TILT ONLY

AVAILABLE WITH ALL TILT-A-WHEEL, COBRA TRAY SETS, A "POSITIVE STOP PIN" CAN EITHER BE FACTORY OR FIELD INSTALLED SO ARM OPERATES ONLY IN THE NEGATIVE TILT POSITION.

**TO ORDER:** INDICATE "NEGATIVE TILT ONLY" ON YOUR ORDER.



### NEGATIVE-TILT ONLY

AVAILABLE WITH ALL COBRA TRAY SETS, THE ARTICULATING ARM COMES PRESET AT THE FACTORY TO OPERATE ONLY IN THE NEGATIVE-TILT POSITIONS.

**TO ORDER:** PLACE -NTO AFTER THE PART NUMBER ON YOUR ORDER.

### TRACK OPTIONS



STANDARD 23" GLIDE TRACK PROVIDES COMPLETE RETRACTABILITY NON-STANDARD TRACK LENGTHS, ARE AVAILABLE UPON REQUEST.



23" BALL-BEARING TRACK TO ORDER. PLACE-BB AFTER THE PART NUMBER ON YOUR ORDER.

# Tilt-A-Wheel Cobra™

Innovative one-hand tilt adjustment offers maximum flexibility for users in seated or sit-to-stand applications.

## Cobra™

A revolutionary ergonomic concept to reduce fatigue by quickly changing from a seated to a standing position.



Ergonomic research shows that the ability to move easily from a seated to a standing position significantly reduces fatigue and improves circulation. Just like a snake chamber, you can easily make the Cobra respond to your commands. The stylized Cobra mechanisms put the keyboard and mouse in perfect user position, whether sitting or standing. Our patented designs, trays and mousing options make it easy to choose a keyboarding system that offers maximum flexibility for a personalized ergonomic fit. With this Cobra your wish is its command!

Weber Knapp Designs for a Smarter Workspace



C O M P A N Y

## Tilt-A-Wheel Cobra™ offers all of the advantages of the Cobra™ plus:

- Convenient, one-hand tilt adjustment by rotating the soft touch wheel

## Cobra™ Advantages:

- With two model to choose from, the unique Cobra™ mechanisms offer a tremendous 12 1/2" of travel to accommodate users in seated or sit-to-stand applications (Corner Shaper™ is needed for 90° corners)
- Provides maximum flexibility with a full 20° of negative tilt and 10° of positive tilt
- 360° rear swivel for optimal keyboard tray positioning and easy storage
- Slim profile allows for maximum knee clearance when in use or retracted
- Closed-channel design provides maximum keyboard stability for a solid, quality feel
- Available in durable black powder coat (standard), or in a choice of custom colors
- Installation hardware and instructions included
- Exceeds the ANSI/BIFMA x5.5 1998 industry standard

### The following keyboard trays may be used in conjunction with the Cobra Mechanism



#### SlimForm™ 19

27312 - With Tilt-A-Wheel Cobra

25967 - With Cobra

- 1/4" thin phenolic allows complete knee clearance
- Tilt & Swivel mouse surface with gel pad provides infinite adjustment
- Foam palm rest (removable) for maximum ergonomic comfort
- Adjustable mouse catcher with cord manager
- Mouse platform easily mounts right or left
- 19 1/2" x 11 1/2", plus 8 1/4" diameter mouse surface
- Optional 10" mousing surface available (consult price guide for information)



#### MouseAround™

27309 - With Tilt-A-Wheel Cobra

26718 - With Cobra

- Features both straight and curved sliding motion, combined in one tray
- Unique mouse design smoothly slides to right-to-left and pulls forward
- 1/4" thin phenolic allows complete knee clearance
- Foam palm rest (removable) for maximum ergonomic comfort
- Foam mouse pad and adjustable mouse catcher with cord manager
- Ideal for multiple-user workstation
- 21 x 12, plus 9 1/2" diameter sliding mouse surface



#### SecureFit™

27308 - With-Tilt-A-Wheel Cobra

25717 - With Cobra

- Sure squeeze design firmly holds keyboard in place
- Slides to clamp keyboards from 5"-9" deep
- Mouse platform easily mounts right or left
- Tilt & Swivel mouse surface with gel pad provides infinite adjustment
- Foam palm rest (removable) for maximum ergonomic comfort
- Adjustable mouse catcher with cord manager
- 19" x (8"-12" adjustable), plus 8 3/4" x 9 1/2" mouse surface



#### Radius™

28117 - With-Tilt-A-Wheel Cobra

28116 - With Cobra

- 1/4" thin phenolic allows complete knee clearance
- Tilt & Swivel mouse surface with gel pad provides infinite adjustment
- Foam palm rest (removable) for maximum ergonomic comfort
- Adjustable mouse catcher with cord manager
- Mouse platform easily mounts right or left
- 19 1/2" x 11 1/2", plus 8 1/4" diameter mouse surface
- Optional 10" mousing surface available (consult price guide for information)



#### SlimForm™ Natural 19

27307 - With-Tilt-A-Wheel Cobra

25969 - With Cobra

- Fits Microsoft Natural, Natural Elite and Natural Pro keyboards
- 1/4" thin phenolic allows complete knee clearance
- Tilt & Swivel mouse surface with gel pad provides infinite adjustment
- Adjustable mouse catcher with cord manager
- Mouse platform easily mounts right or left
- 20 1/4" x 10 5/8", plus 8 1/4" diameter mouse surface
- Optional 10" mousing surface available (consult price guide for information)



#### SlimForm™ Natural 27

27314 - With-Tilt-A-Wheel Cobra

25968 - With Cobra

- 1/4" thin phenolic allows complete knee clearance
- Integrated gel mouse pad easily switches from right to left
- Foam palm rest (removable) for maximum ergonomic comfort
- Adjustable mouse catcher with cord manager
- 27" x 11 1/2", plus 8 1/8" diameter mouse surface