

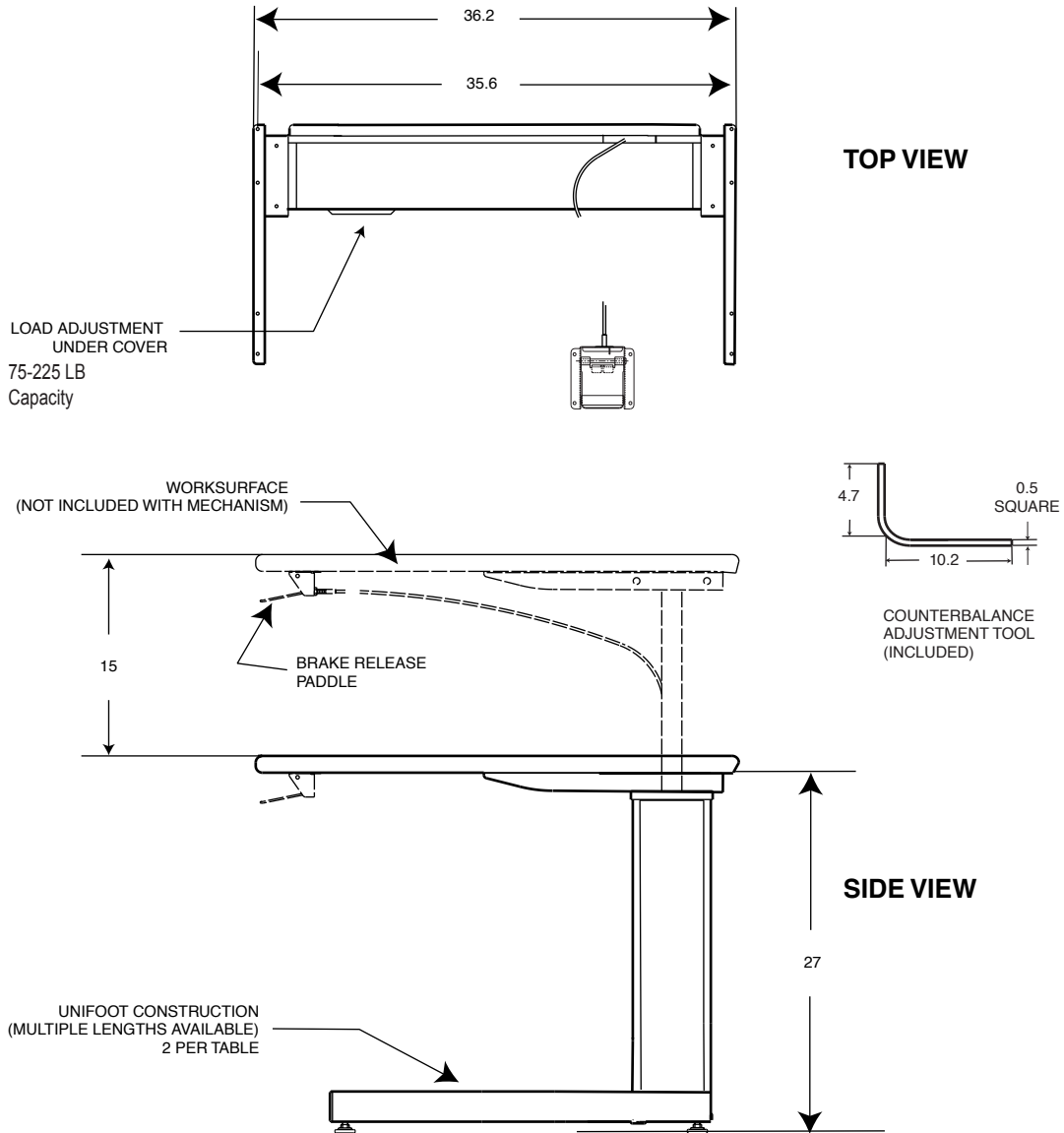


WORK SURFACE MECHANISMS

15" HEIGHT ADJUSTABLE MECHANISM

DIMENSIONS IN INCHES

25886 SHOWN



- Patented brake system with weight sensing interlock, will only release when table is properly counter balanced.
- Unique sensing indicator provides visual feedback to easily set proper counterbalance adjustment.