

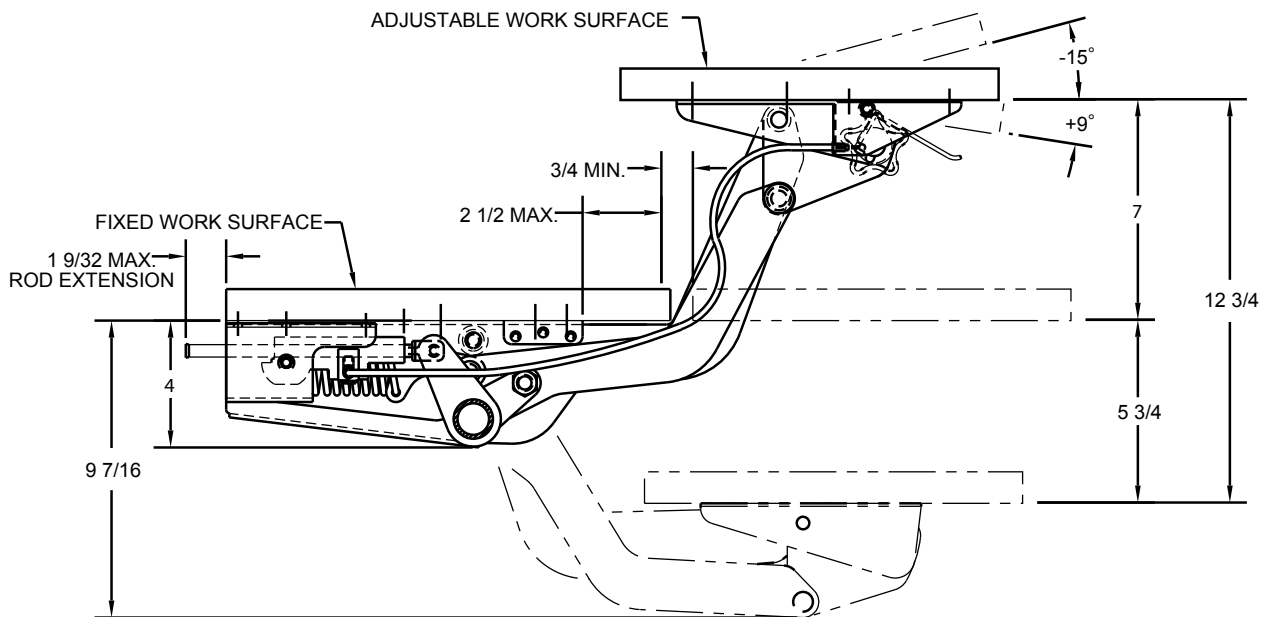
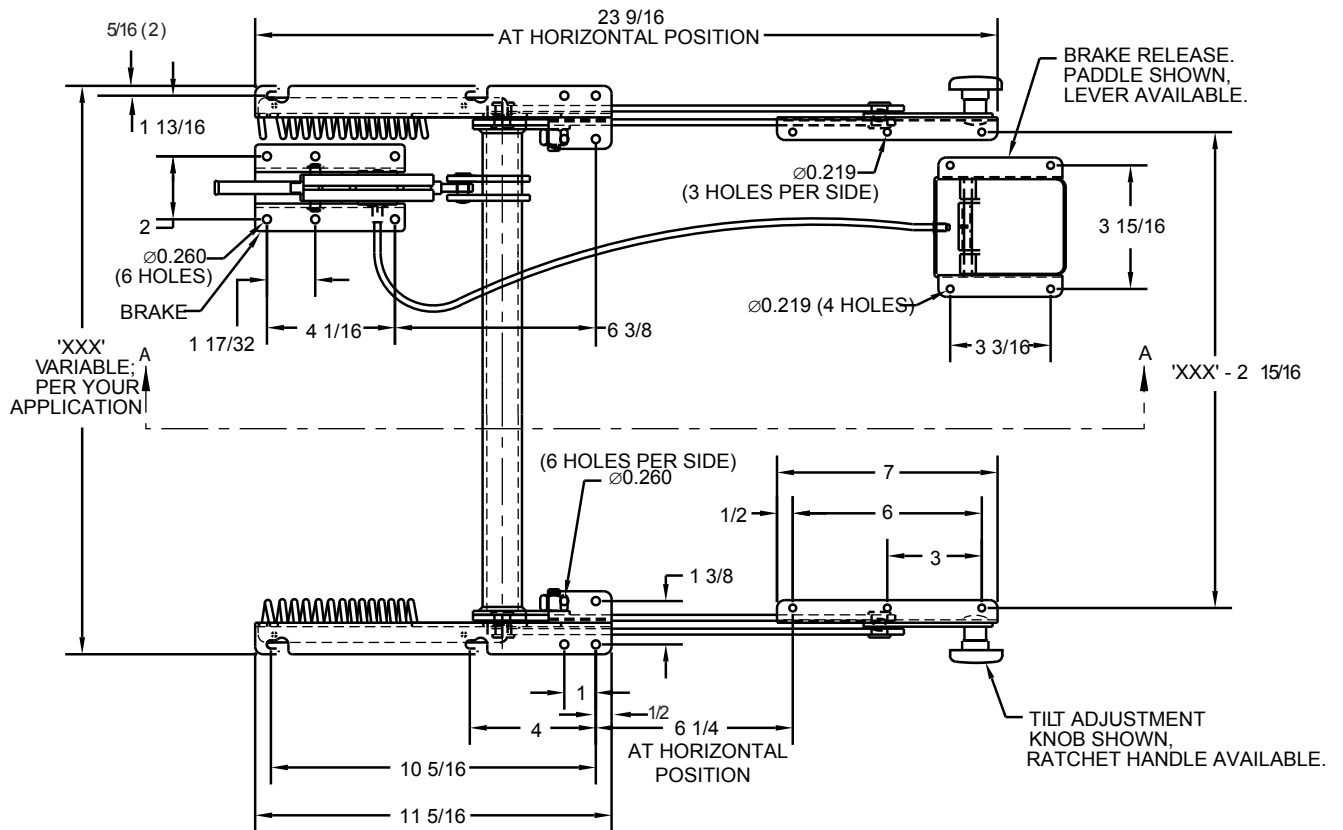


WORK SURFACE MECHANISMS

POSITION MATE 12-3/4" HEIGHT ADJUSTABLE

DIMENSIONS IN INCHES

221 SHOWN



VIEW A-A