

# Adjustable Workstations

Versatile solutions designed for comfort and ease of operation



Two outstanding products that let users configure their worksurface to fit their needs, quickly and conveniently. Both tables feature a wide range of height positioning without the use of tools. Our Marathon's counterbalanced system allows for smooth controlled height adjustment. We've engineered the Set & Forget Table to deliver the utmost in versatility and value.



Marathon Table



Set & Forget Table

Weber Knapp Designs for a Smarter Workspace



COMPANY

Tel: (800) 828-9254 or (716) 484-9135  
www.weberknapp.com | e-mail sales@weberknapp.com

# Adjustable Workstations Advantages:

## Marathon:

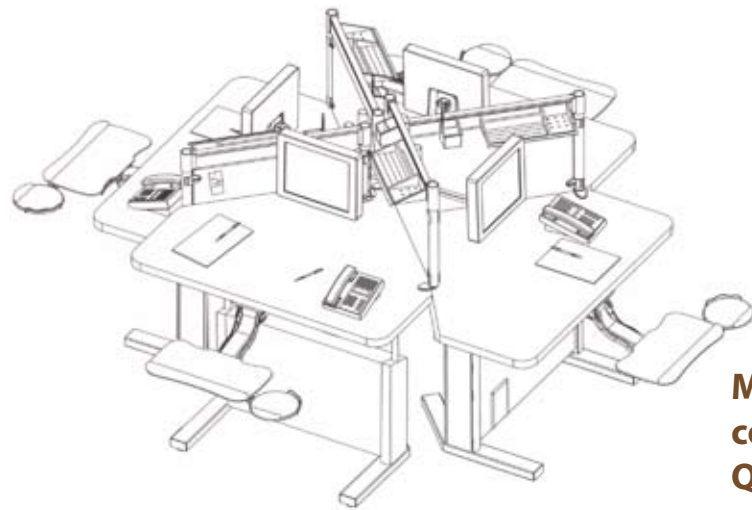
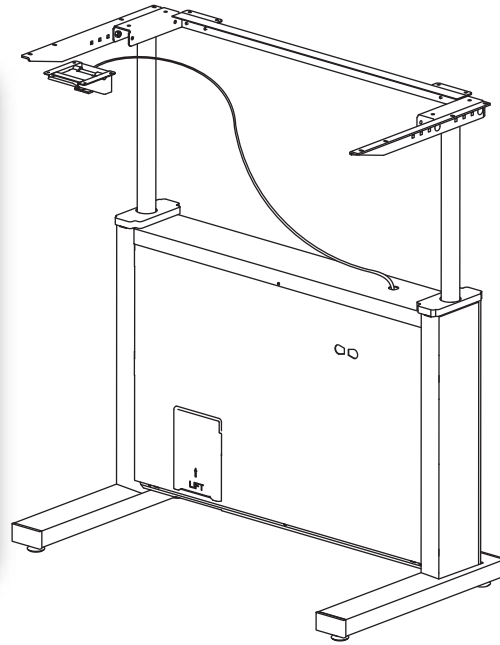
- 15" of height adjustment from 27 1/2" to 42 1/2"
- Counterbalanced to support loads from 75 to 225 pounds, permitting smooth, rapid adjustment using the convenient paddle release
- When used in conjunction with the Weber Knapp PositionMate™, a bi-level worksurface is created that can be raised, lowered or tilted for maximum user comfort
- Unique sensing indicator gives clear directions allowing proper counterbalance adjustment
- Smooth, easy operation over the entire service life
- Multiple foot lengths available with ultra-stable Unifoot Construction to accommodate various top shapes
- Exceeds the ANSI/BIFMA X5.5, 1998 industry performance standard

## Set & Forget:

- 16 1/2" of height adjustment - from 26 1/2" to 43"
- Adjustable forward tilt - from 0" to 30"
- No tools are required to set height and tilt - easy -to-use adjustment knobs provided
- Convenient grids on either side of table are used to set equal level height adjustment
- Multiple foot lengths available with ultra-stable Unifoot Construction to accommodate various tabletop shapes

## Marathon Table

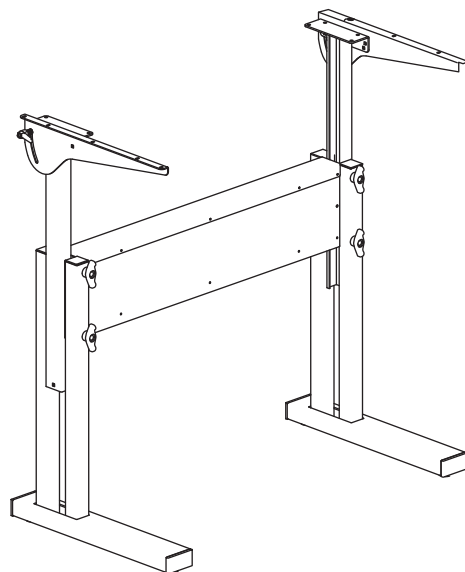
<b>25886</b>	
MARATHON TABLE WITH FEET*	34 1/2" Wide
<b>23800</b>	
MARATHON TABLE WITH FEET*	40" Wide
<b>23801</b>	
MARATHON TABLE WITH FEET*	52" Wide
STEEL, BLACK TEXTURED POWDERCOAT	
<i>Worksurfaces sold separately</i>	
*IMPORTANT: Length of foot is dependent upon depth of worksurface used. Please consult Weber Knapp before placing order.	
<b>OPTIONAL CASTERS AVAILABLE.</b>	



**Marathon Tables combined as a Quad unit.**

## Set & Forget Table

<b>25887</b>	
SET & FORGET TABLE WITH FEET*	34 1/2" Wide
LOAD TEST	375 LBS.
<b>26405</b>	
SET & FORGET TABLE WITH FEET*	40" Wide
LOAD TEST	442 LBS.
<b>26396</b>	
SET & FORGET TABLE WITH FEET*	60" Wide
LOAD TEST	534 LBS.
STEEL, BLACK TEXTURED POWDERCOAT	
<i>Worksurfaces sold separately</i>	
*IMPORTANT: Length of foot is dependent upon depth of worksurface used. Please consult Weber Knapp before placing order.	
<b>OPTIONAL CASTERS AVAILABLE.</b>	



## Single and Dual Rectangular Work Surfaces

For use with EasyMate™, PositionMate™, and CobraMate™

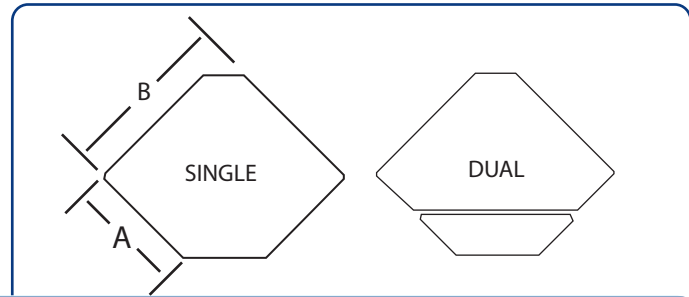
SINGLE	DUAL
--------	------

Size	MARATHON*	SET & FORGET
<b>30" x 42"</b> Use on 34 1/2" wide tables		
Single 24" x 42"	Single -MRS 3042	Single -SRS 3042
<b>30" x 48"</b> Use on 34 1/2" wide tables		
Single 30" x 48"	Single - MRS 3048	Single -SRS 3048
<b>30" x 54"</b> Use on 40" wide tables		
Single 30" x 54"	Single - MRS 3054	Single - SRS 3054
Dual 18" x 54" and 11" x 54"	Dual - MRP 3054 (Position Mate)	Dual - SRE 3054 (EasyMate) Dual - SRP 3054 (PositionMate) Dual - SRC 3054 (CobraMate)
<b>30" x 60"</b> Use on 40" wide tables		
Single 30" x 60"	Single - MRS 3060	Single - SRS 3060
Dual 18" x 60" and 11" x 60"	Dual - MRP 3060 (Position Mate)	Dual - SRE 3060 (EasyMate) Dual - SRP 3060 (PositionMate) Dual - SRC 3060 (CobraMate)
<b>32" x 42"</b> Use on 34 1/2" wide tables		
Single 32" x 42"	Single - MRS 3242	Single - SRS 3242
Dual 20" x 42" and 11" x 42"	Dual - MRP 3242 (Position Mate)	Dual - SRE 3242 (EasyMate) Dual - SRP 3242 (PositionMate) Dual - SRC 3242 (CobraMate)
<b>32" x 48"</b> Use on 34 1/2" wide tables		
Single 32" x 48"	Single - MRS 3248	Single - SRS 3248
Dual 20" x 48" and 11" x 48"	Dual - MRP 3248 (PositionMate)	Dual - SRE 3248 (EasyMate) Dual - SRP 3248 (PositionMate) Dual - SRC 3248 (CobraMate)
<b>32" x 54"</b> Use on 40" wide tables		
Single 32" x 54"	Single - MRS 3254	Single - SRS 3254
Dual 20" x 54" and 11" x 54"	Dual - MRP 3254 (PositionMate)	Dual - SRE 3254 (EasyMate) Dual - SRP 3254 (PositionMate) Dual - SRC 3254 (CobraMate)
<b>32" x 60"</b> Use on 40" wide tables		
Single 32" x 60"	Single - MRS 3260	Single - SRS 3260
Dual 20" x 60" and 11" x 60"	Dual - MRP 3260 (PositionMate)	Dual - SRE 3260 (EasyMate) Dual - SRP 3260 (PositionMate) Dual - SRC 3260 (CobraMate)

1. Standard laminates are Pionite SG208 Limestone, SG246 Dolphin Gray, AW White Spektrum, AG251 Gray Spectrum or Wilson Art equivalents.  
 2. Standard T-molding colors are Dove Grey, Almond, White, and Black.  
 3. Woodgrains and HP268-N Fusion Maple must be specially quoted.  
 \*EasyMate and CobraMate cannot be used with Marathon Tables.

## Single and Dual Corner Work Surfaces

For use with EasyMate™, PositionMate™, and CobraMate™



Size (A" x B")	MARATHON*	SET & FORGET
<b>24" x 42"</b> Use on 34½" wide tables  Single 24" x 42"	Single - MCS 2442	Single - SCS 2442
<b>24" x 48"</b> Use on 34½" wide tables  Single 24" x 48"  Dual 24" x 48" and 11" x 53"	Single - MCS 2448  Dual - MCP 2448 (PositionMate)	Single - SCS 2448  Dual - SCE 2448 (EasyMate) Dual - SCP 2448 (PositionMate) Dual - SCC 3048 (CobraMate)
<b>30" x 48"</b> Use on 34½" wide tables  Single 30" x 48"  Dual 30" x 48" and 11" x 45"	Single - MCS 3048  Dual - MCP 3048 (PositionMate)	Single - SCS 3048  Dual - SCE 3048 (EasyMate) Dual - SCP 3048 (PositionMate) Dual - SCC 3048 (CobraMate)
<b>32" x 48"</b> Use on 34½" wide tables  Single 32" x 48"  Dual 32" x 48" and 11" x 42"	Single - MCS 3248  Dual - MCP 3248 (PositionMate)	Single - SCS 3248  Dual - SCE 3248 (EasyMate) Dual - SCP 3248 (PositionMate) Dual - SCC 3248 (CobraMate)

1. Standard Laminates are Pionite SG208 Limestone, SG246 Dolphin Gray, AW785 White Spectrum, AG251 Gray Spectrum, or Wilson Art equivalents.
2. Standard T-molding colors are Dove Grey, Almond, White and Black.
3. Woodgrains and HP268-N Fusion Maple must be specially quoted.

\*EasyMate and CobraMate cannot be used with Marathon Tables

**NOTE: WORKSURFACES IN CUSTOM SIZES, SHAPES AND LAMINATES CAN BE SPECIALLY QUOTED**

©WEBER KNAPP COMPANY

#2348

Rev 02/08

