

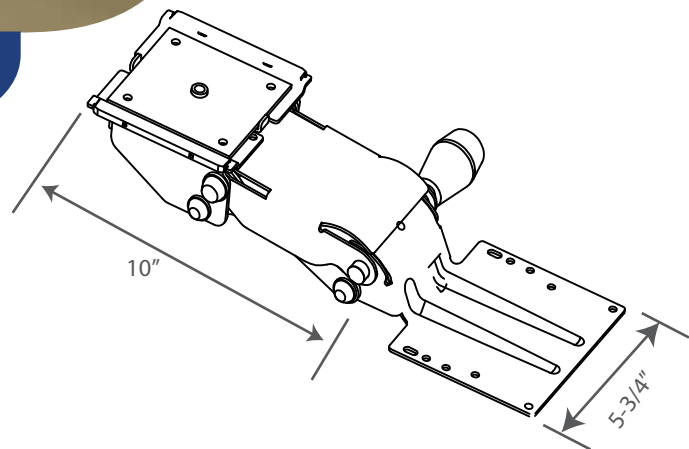
# Stubby Easy Riser

Ergonomic Keyboard Mechanism

## Features

- 5 1/4" height adjustment, spring assistance
- 5 1/2" end of track to rear of keyboard tray distance
- 21" length of track supplies
- +/- 15 degree tilt adjustment
- No knob, lever or ratchet handle required to set height; knob only adjust keyboard tilt angle
- 360 degree rear swivel
- Meets BIFMA x 5.5 -1998 Standards
- Material: Rugged steel construction finished in a durable black textured powder coating.

Weber Knapp Designs for a Smarter Workspace



Tel: (800) 828-9254 or (716) 484-9135  
www.weberknapp.com | e-mail sales@weberknapp.com