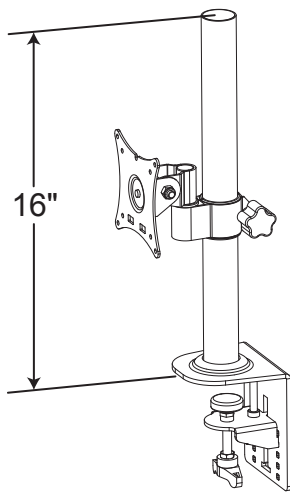




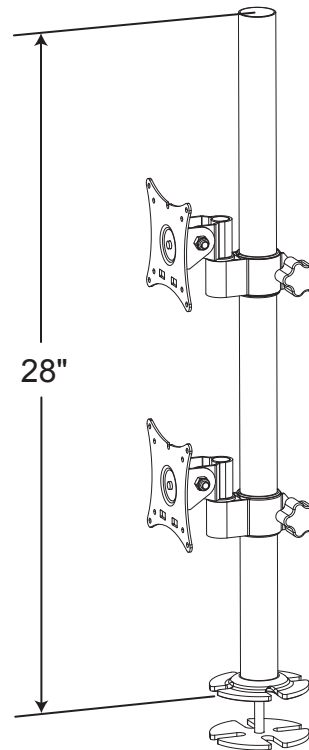
MONITOR SUPPORTS

FLATSCREEN ARM™

DIMENSIONS IN INCHES

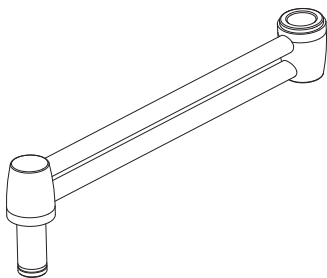


26419-2 Clamp Mount

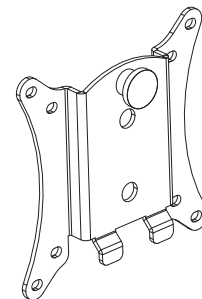


26698-2 Grommet Mount

Note: Both clamp and grommet mounts available in 16" or 28" lengths.
The 28" length can accommodate either 1 or 2 monitor adapters.



26417-8 8" Arm
or
26417-10 10" Arm



26706 Quick Release
Monitor Adapter