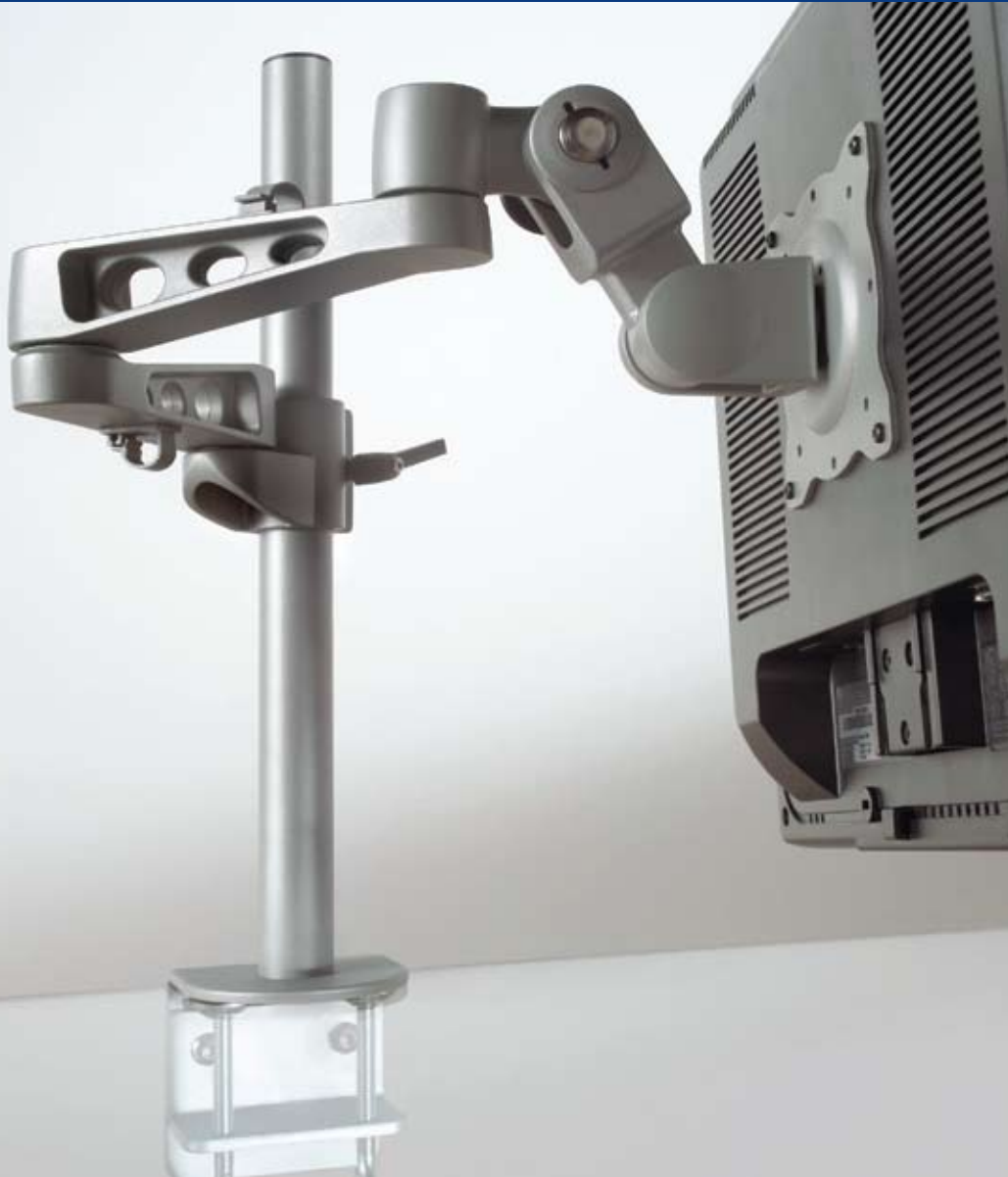


T-Rex™

Evolve from the primitive!
Discover that the T-Rex travels where others can't.



T-Rex has emerged among the many species of flat screen monitor supports! Offering a unique adjustability feature at the point of monitor attachment, a simple push-button fine tunes your monitor's height and tilt positions. T-Rex combines new-age style with proven functionality. In an era where only the fittest survive, T-Rex is sure to drive rivals to extinction!



Weber Knapp DESIGNS for a SMARTER WORKSPACE

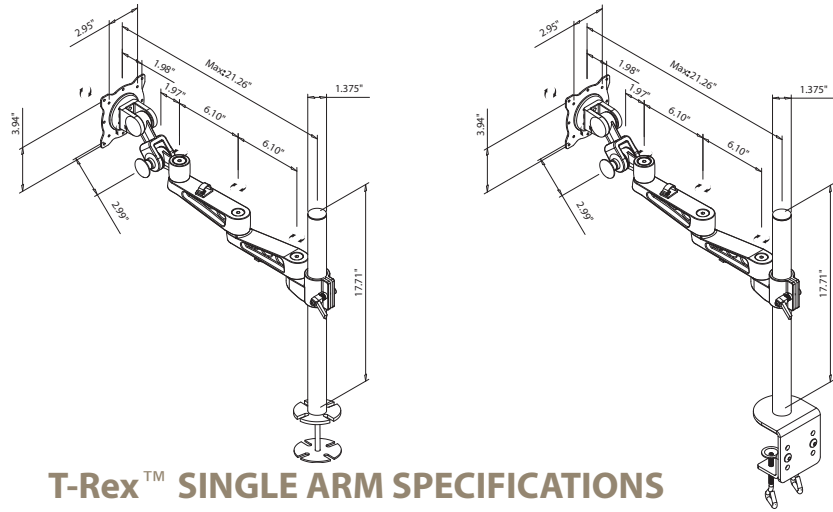


C O M P A N Y

Tel: (800) 828-9254 or (716) 484-9135
www.weberknapp.com | [e-mail sales@weberknapp.com](mailto:sales@weberknapp.com)

T-Rex™ Advantages:

- Effortlessly customize the angle, depth and height of the flat-screen monitor for either seated or standing applications
- Unique pivot assembly fine tunes monitor angle and height with the push of a button
- Swivel assembly allows flexibility to adjust the monitor for portrait or landscape views
- Impressive 4" – 21" horizontal travel range, from pillar centerline to plate mounting surface, and accommodates all VESA- compliant monitors weighing up to 25 pounds
- Available in both clamp- and grommet-mount, single- and double-arm versions

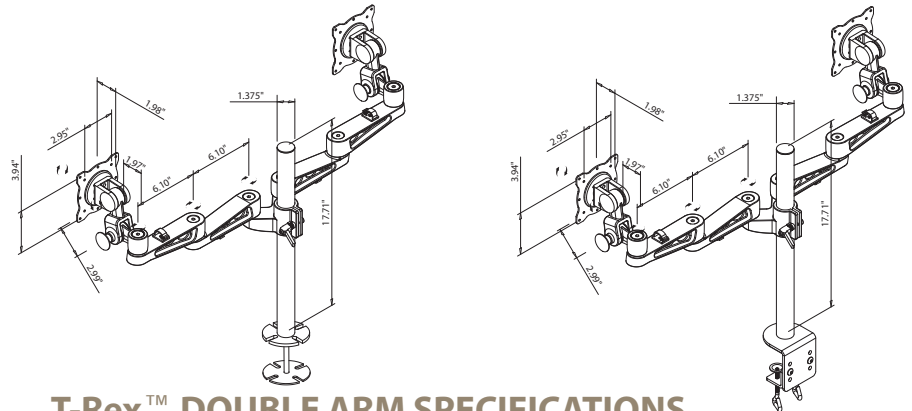


T-Rex™ SINGLE ARM SPECIFICATIONS

28492- Grommet Mount
28491- Clamp Mount

HEIGHT ADJUSTMENT COLUMN	15"
HEIGHT ADJUSTMENT FORWARD PIVOT	+/-3"
TILT	+/-90°
SWIVEL	+/-90°
ROTATION	+/-180°
MONITOR CAPACITY	25 LBS.
MONITOR ATTACHMENT	VESA STANDARD 75 mm OR 100 mm, SQ
WORKSURFACE RANGE	1 – 4 1/2" FOR CLAMP MOUNT 1 – 2 1/4" WITH 3/8" – 2 1/2" DIA MAX HOLE FOR GROMMET MOUNT
MATERIAL	STEEL/DIECAST
FINISH	POWDERCOAT (SILVER STANDARD)

What a smart step forward in the evolution of Office Space...



T-Rex™ DOUBLE ARM SPECIFICATIONS

28807- Grommet Mount
28806- Clamp Mount

HEIGHT ADJUSTMENT COLUMN	15"
HEIGHT ADJUSTMENT FORWARD PIVOT	+/-3"
TILT	+/-90°
SWIVEL	+/-90°
ROTATION	+/-180°
MONITOR CAPACITY	13 LBS. EACH
MONITOR ATTACHMENT	VESA STANDARD 75 mm OR 100 mm, SQ
WORKSURFACE RANGE	1 – 4 1/2" FOR CLAMP MOUNT 1 – 2 1/4" WITH 3/8" – 2 1/2" DIA MAX HOLE FOR GROMMET MOUNT
MATERIAL	STEEL/DIECAST
FINISH	POWDERCOAT (SILVER STANDARD)

